

2015-2016 1st Trimester Math Assessment Answer Key

Grade 5

DD # 14194

1

①

Use paper and pencil to solve the problem. Insert grouping symbols to make the number sentence true. $3 - 1 * 112 = 224$

2

①

Use paper and pencil to solve the problem. Insert grouping symbols to make the number sentence true. $14 \div 2 + 5 * 2 = 17$

3

①

Use paper and pencil to solve the problem. Insert grouping symbols to make the number sentence true. $0 = 96 \div 12 - 8$

4

①

Use paper and pencil to solve the problem. Insert grouping symbols to make the number sentence true. $260 = 28 - 2 * 10$

5

Use paper and pencil to solve the problem. a. Write each expression in the correct column.

$(16 \div 5) \div 3$ $4 * (16 \div 5)$ $(16 \div 5) - 11$
 $16 + (16 \div 5)$ $(16 \div 5) * 0$ $100 + (16 \div 5)$

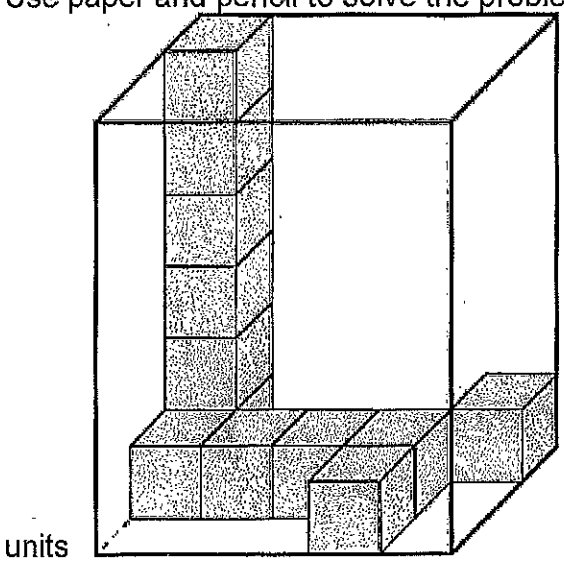
$> (16 \div 5)$	$< (16 \div 5)$

b. Did you need to evaluate the expressions to solve Problem a? Why or why not?

? / 1 points

6

Use paper and pencil to solve the problem. a. Find the volume of the prism. Volume = ___ cubic



b. Explain how you found the volume of the prism.

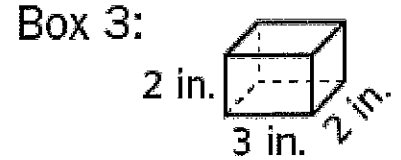
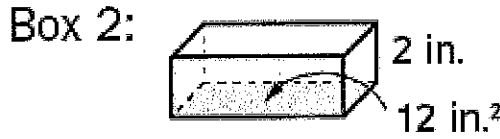
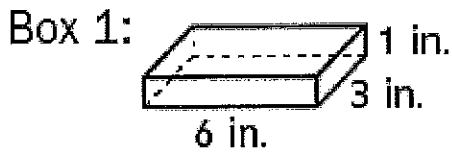
? / 1 points

7

Why is a unit cube a good unit for measuring volume?

8

Gemma is buying boxes to ship her jewelry packets to customers. She wants to buy boxes that match the volume of her packets best. Her jewelry packets have a volume of 16 square inches. She can choose between the following three options:

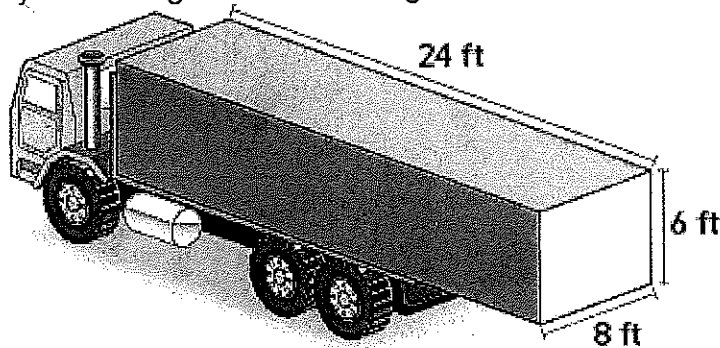


What is the volume of each box? Write a number sentence that shows how you found the volume. Remember: $V = l \times w \times h$ and $V = B \times h$.
 Volume of Box 1: Number sentence:
 Volume of Box 2: Number sentence:
 Volume of Box 3: Number sentence:
 Which box should Gemma buy? Explain your answer.

? / 1 points

9

Lisle's family is renting a moving truck. The website they checked gave the following dimensions of the truck they thought was best:



a. What is the volume of the moving truck?
 ___ ft^3
 b. Lisle's family estimated that they need a truck with a volume of 40 cubic yards. How many cubic feet of storage space do they need? Hint: There are 3 feet in 1 yard. Lisle's family needs ___ feet^3 of storage space.
 c. Is the moving truck large enough for Lisle's family? Explain why or why not.

? / 1 points

10.

sentence true. $146 \div 2 + 1 = 74$

Insert grouping symbols to make the number

11. Use paper and pencil to solve the problem. Insert grouping symbols to make the number sentence true. $21 - 11 \div 2 + 3 = 2$ (1)

12. Use paper and pencil to solve the problem. Insert grouping symbols to make the number sentence true. $145 = 145 * 3 - 2$ (1)

13. Use paper and pencil to solve the problem. Insert grouping symbols to make the number sentence true. $136 = 3 + 31 * 4$ (1)

14. Use paper and pencil to solve the problem. a. Write each expression in the correct column.

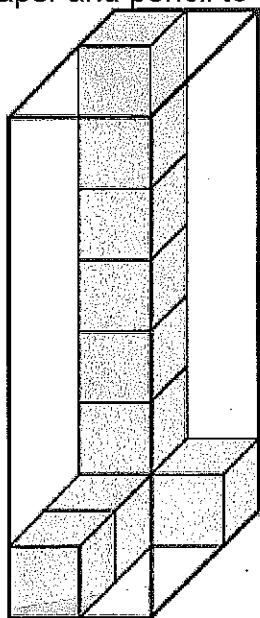
$22 * 4 + 8$ (1) $(22 * 4) - 1$ (1) $(22 * 4) \div 4$ (1)
 $14 * (22 * 4)$ (1) $(22 * 4) \div 22$ (1) $22 * 4 - 5$ (1)

$> (22 * 4)$	$< (22 * 4)$

b. Did you need to evaluate the expressions to solve Problem a? Why or why not? (1)

15.

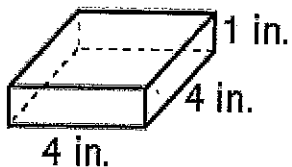
Use paper and pencil to solve the problem. a. Find the volume of the prism. Volume = ___ cubic



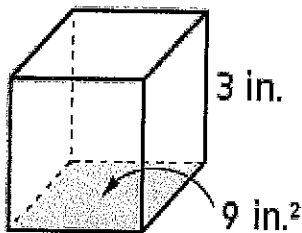
b. Explain how you found the volume of the prism.

Use paper and pencil to solve the problem. Malika is buying boxes to ship her jewelry packets to customers. She wants to buy boxes that match the volume of her packets best. Her jewelry packets have a volume of 30 square inches. She can choose between the following three options:

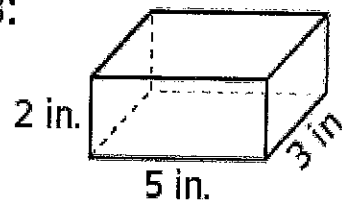
Box 1:



Box 2:



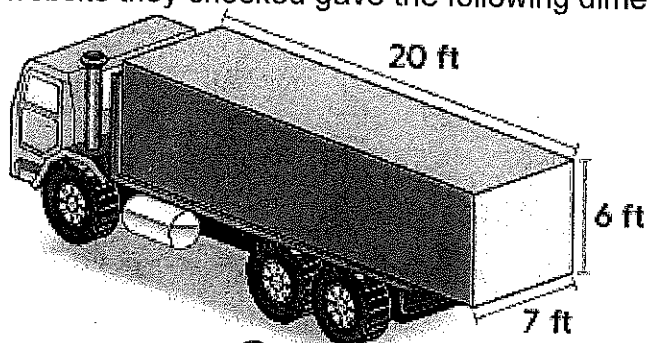
Box 3:



What is the volume of each box? Write a number sentence that shows how you found the volume. Remember: $V = l \times w \times h$ and $V = B \times h$. Volume of Box 1: Number sentence: Volume of Box 2: Number sentence: Volume of Box 3: Number sentence: Which box should Malika buy? Explain your answer.

17.

Use paper and pencil to solve the problem. Sabrina's family is renting a moving truck. The website they checked gave the following dimensions of the truck they thought was best:



a. What is the volume of the moving truck? ___ ft^3
 b. Sabrina's family estimated that they need a truck with a volume of 35 cubic yards. How many cubic feet of storage space do they need? Hint: There are 3 feet in 1 yard. Sabrina's family needs ___ ft^3 of storage space. c. Is the moving truck large enough for Sabrina's family? Explain why or why not.